

# Wiring for Peugeot cars with ISO Adapter



Some Peugeot cars don't have ISO connector so you need an ISO adapter. This adapter converts the original harness into an ISO connector.

## Summary :

1. Peugeot car models.....	1
2. ISO Adapter description .....	1
3. Cable description .....	3
4. Wiring with ISO Adapter.....	4

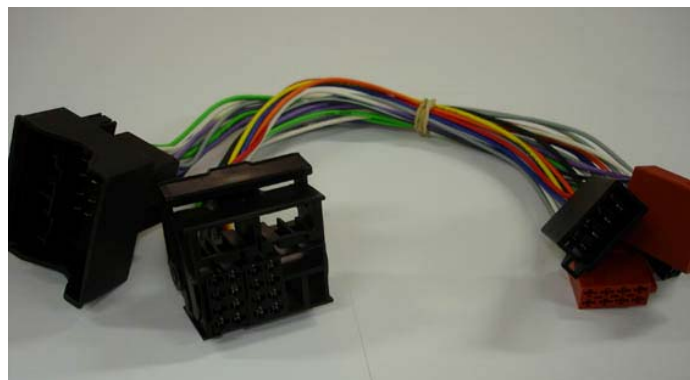
## 1. Peugeot car models :

<b>207 :</b> > 2006	<b>407 :</b> > 2004
<b>307 :</b> > 2005	<b>607 :</b> > 2003
<b>307CC :</b> > 2004	<b>807 :</b> > 2005

## 2. ISO Adapter description

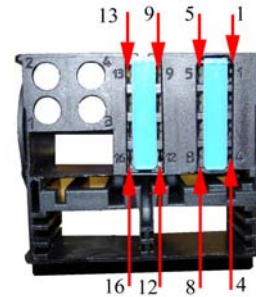
**Reference :** AC0000016AA

If you are interested contact our sales department: [sales@parrot.fr](mailto:sales@parrot.fr)



### Peugeot Audio

N°	Color	Description
4	Green	Rear left speaker +
3	White	Front left speaker +
2	Grey	Front Right speaker +
1	Violet	Rear Right speaker +
8	Green Black	Rear Left speaker -
7	White Black	Front Left speaker -
6	Grey Black	Front Right speaker-
5	Black Violet	Rear Right speaker -



### Peugeot Supply

N°	Color	Description
15	Yellow	+12 V Ignition
12	Red	+12 Permanent
16	Black	Ground

### Peugeot Audio

N°	Color	Description
4	Green	Rear left speaker +
3	White	Front left speaker +
2	Grey	Front Right speaker +
1	Violet	Rear Right speaker +
8	Green Black	Rear Left speaker -
7	White Black	Front Left speaker -
6	Grey Black	Front Right speaker-
5	Black Violet	Rear Right speaker -



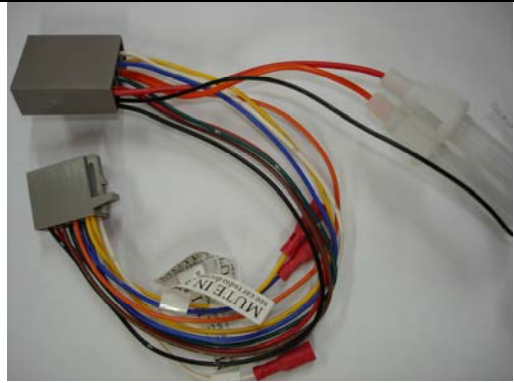
### Peugeot Supply

N°	Color	Description
15	Yellow	+12 V Ignition
12	Red	+12 Permanent
16	Black	Ground

### 3. Cable description

#### - Car kit Parrot Battery


Pin Number		Couleur	Description
1		White	Mute In 1
2		Yellow	Mute In 2
3		Blue	Mute In 3
4		Orange	+ 12V Memory
5		Green	
6		Brown	
7		Red	+ 12 V Permanent
8		Black	Masse



-With Some Peugeot cars equipped with Can Bus, we need to connect the 12V Ignition (orange wire) to the cigarette lighter.

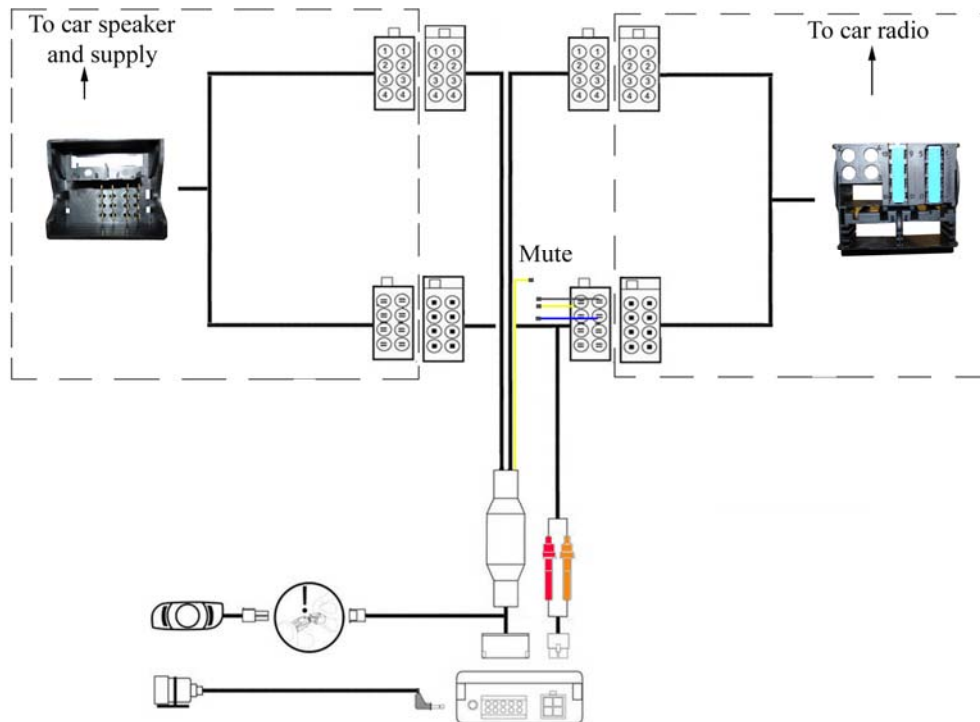
#### - Car kit Parrot, car speakers

Pin Number		Couleur	Description
1		Grey	Rear right speaker +
2		White	Rear right speaker -
3		Blue	Front right speaker +
4		Green	Front right speaker -
5		Red	Front left speaker +
6		Orange	Front left speaker -
7		Bronw	Rear left speaker +
8		Black	Rear left speaker -



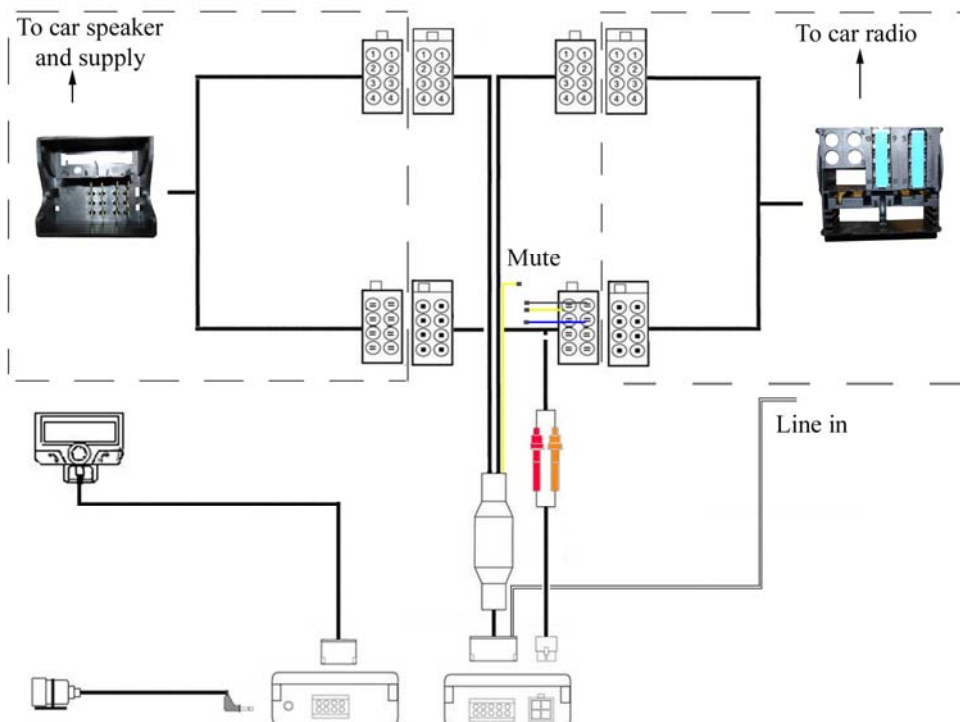
## **4. Wiring with ISO Adapter**

### **- Mounting Procedure for CK3000 Evolution**



*Same mounting procedure for CK3000*

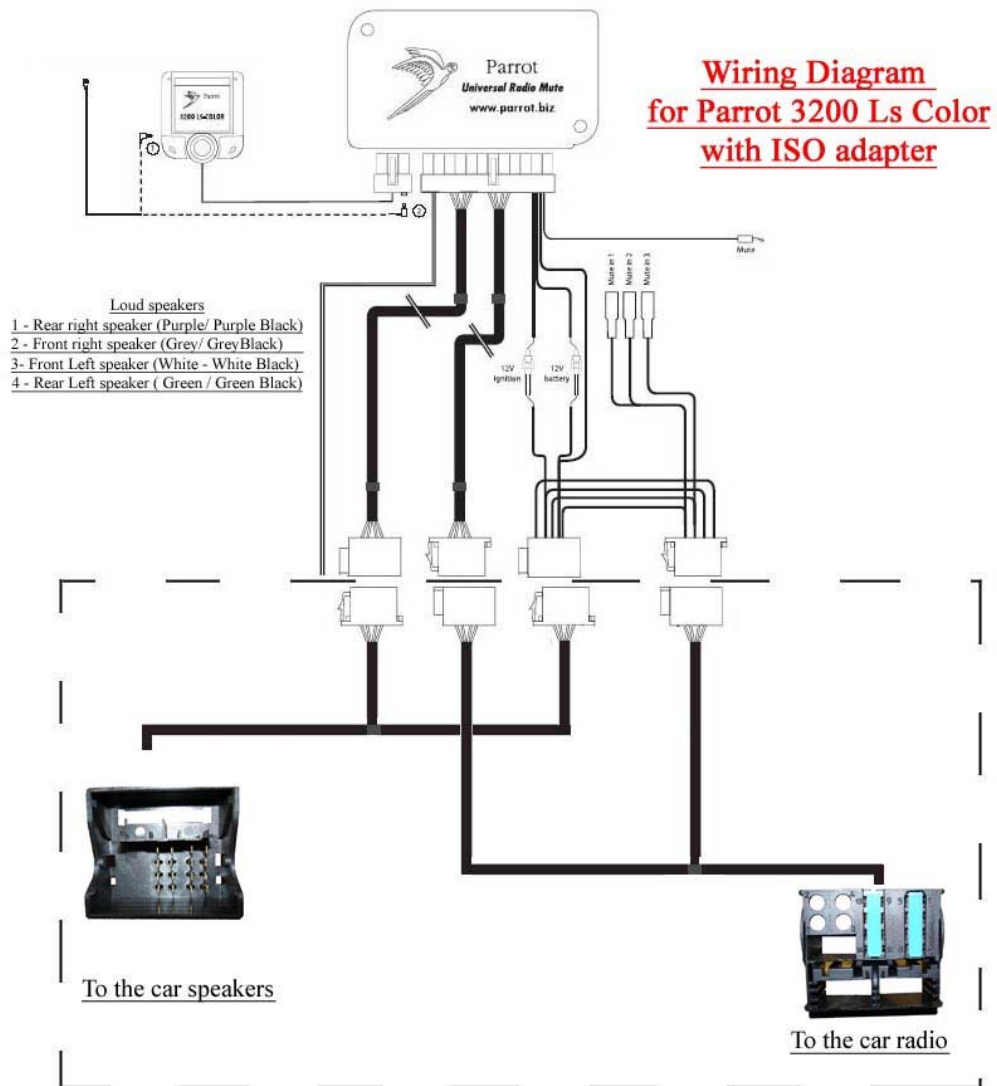
### **Mounting Procedure for CK3100**



*Same mounting procedure for CK3300, CK3500*



## - Mounting Procedure for Parrot 3200 Ls Color



*Same mounting procedure for Parrot 3400 GPS*